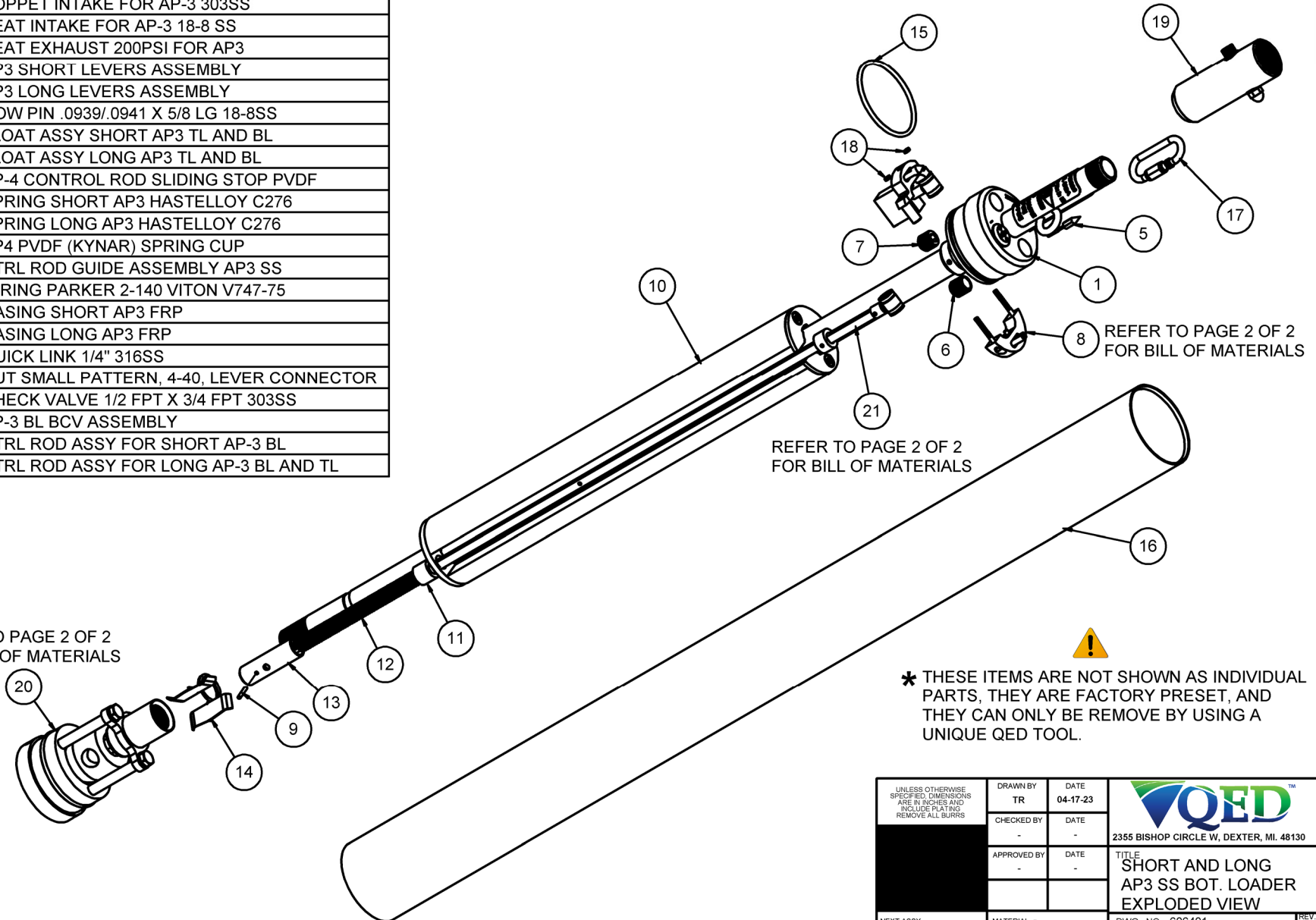


THE INFORMATION CONTAINED IN THIS DRAWING IS THE SOLE PROPERTY OF Q.E.D. ENVIRONMENTAL. ANY REPRODUCTION IN PART OR WHOLE WITHOUT THE WRITTEN PERMISSION OF Q.E.D. ENVIRONMENTAL IS PROHIBITED.

ITEM	PART #	QTY.	DESCRIPTION
1	302855	1	FRAME AP3 SHORT ATEX
	302856		FRAME AP3 LONG ATEX
2	201267	2	CAP AP3 MAGNET WELL 303SS
3	201258	2	10-32 x 3-8 CP SKT SET 18-8 SS
4	303002	2	AP3 MAGNET ASSY W/EPOXY
5	201671	1	POPPET INTAKE FOR AP-3 303SS
6	201457	1	SEAT INTAKE FOR AP-3 18-8 SS
7	200663	1	SEAT EXHAUST 200PSI FOR AP3
8	301141	1	AP3 SHORT LEVERS ASSEMBLY
	301140		AP3 LONG LEVERS ASSEMBLY
9	200344	1	DOW PIN .0939/.0941 X 5/8 LG 18-8SS
10	301144	1	FLOAT ASSY SHORT AP3 TL AND BL
	301143		FLOAT ASSY LONG AP3 TL AND BL
11	201210	1	AP-4 CONTROL ROD SLIDING STOP PVDF
12	206261	1	SPRING SHORT AP3 HASTELLOY C276
	206259		SPRING LONG AP3 HASTELLOY C276
13	201211	1	AP4 PVDF (KYNAR) SPRING CUP
14	300703	1	CTRL ROD GUIDE ASSEMBLY AP3 SS
15	201748	2	O-RING PARKER 2-140 VITON V747-75
16	202903	1	CASING SHORT AP3 FRP
	201789		CASING LONG AP3 FRP
17	202515	1	QUICK LINK 1/4" 316SS
18	202889	2	NUT SMALL PATTERN, 4-40, LEVER CONNECTOR
19	300690	1	CHECK VALVE 1/2 FPT X 3/4 FPT 303SS
20	301147	1	AP-3 BL BCV ASSEMBLY
21	301204	1	CTRL ROD ASSY FOR SHORT AP-3 BL
	301142		CTRL ROD ASSY FOR LONG AP-3 BL AND TL

302071A AND 302073A


REFER TO PAGE 2 OF 2 FOR BILL OF MATERIALS



REFER TO PAGE 2 OF 2 FOR BILL OF MATERIALS

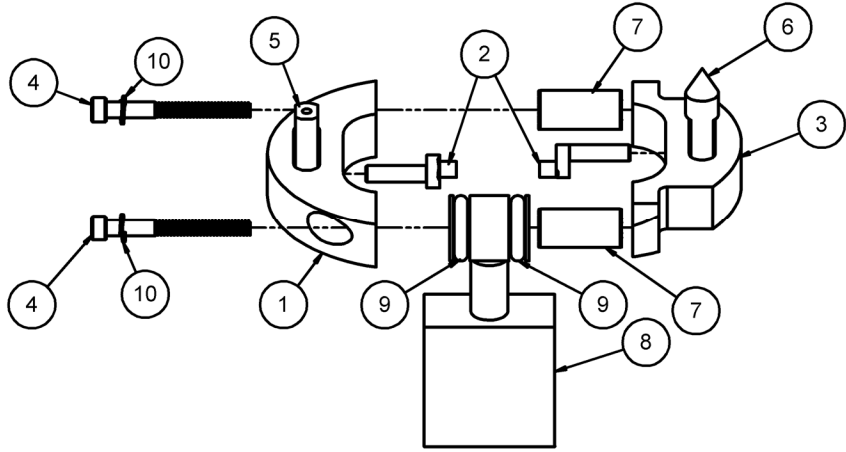
REFER TO PAGE 2 OF 2 FOR BILL OF MATERIALS

*** THESE ITEMS ARE NOT SHOWN AS INDIVIDUAL PARTS, THEY ARE FACTORY PRESET, AND THEY CAN ONLY BE REMOVE BY USING A UNIQUE QED TOOL.**

UNLESS OTHERWISE SPECIFIED, DIMENSIONS ARE IN INCHES AND INCLUDE PLATING REMOVE ALL BURRS	DRAWN BY TR	DATE 04-17-23	 2355 BISHOP CIRCLE W, DEXTER, MI. 48130
	CHECKED BY -	DATE -	
	APPROVED BY -	DATE -	
NEXT ASSY -	MATERIAL -	DWG. NO. 606401	TITLE SHORT AND LONG AP3 SS BOT. LOADER EXPLODED VIEW
USED ON -	FINISH -	SCALE 1:8	SHEET 1 OF 2

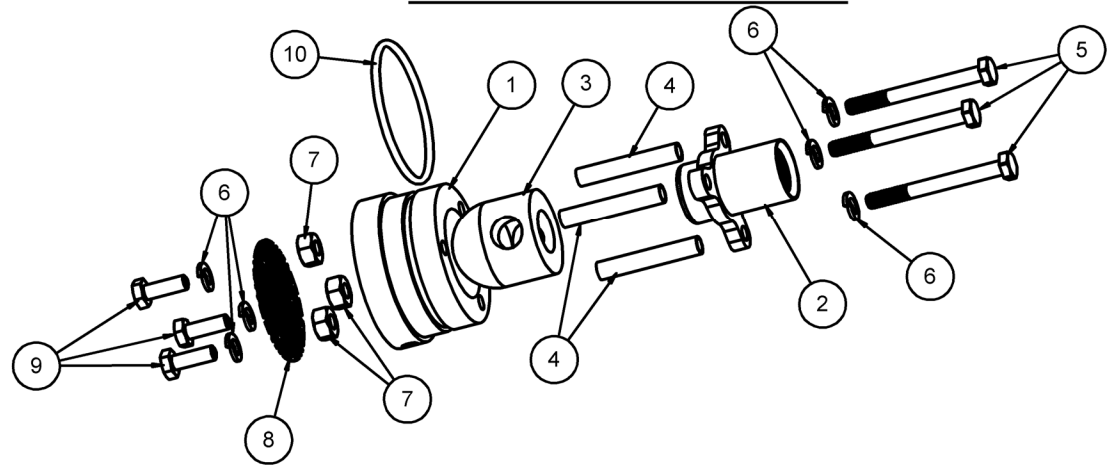
THE INFORMATION CONTAINED IN THIS DRAWING IS THE SOLE PROPERTY OF Q.E.D. ENVIRONMENTAL. ANY REPRODUCTION IN PART OR WHOLE WITHOUT THE WRITTEN PERMISSION OF Q.E.D. ENVIRONMENTAL IS PROHIBITED.

301140 AND 301141 - AP-3 LONG AND SHORT LEVERS ASSEMBLY



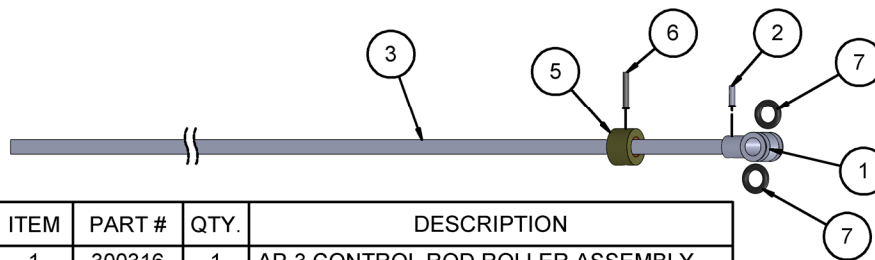
ITEM	PART #	QTY.	DESCRIPTION
1	201264	1	LEVER INT AP3 ACETAL
2	201197	2	POPPET CRANK PIVOT PIN AP3
3	201263	1	AP-3 AIR EXHAUST LEVER BLANK
4	201631	2	18-8 S.S. LEVER SCREW
5	201283	1	303 S.S. INTAKE POPPET CONNECTOR
6	201282	1	POPPET EXH AP3 303SS
7	201266	2	BUSHING ROLLER AP3 304SS
8	300433	1	COUNTERWEIGHT AP3 SHORT SS
	300402		COUNTERWEIGHT AP3 LONG SS
9	200496	2	O-RING PARKER 2-109 VITON V747-75
10	201632	2	S.S. LEVER SCREW LOCK WASHER

301147 - AP-3 BL BCV ASSEMBLY



ITEM	PART #	QTY.	DESCRIPTION
1	201727	1	SEAT BCV AP3 BL 303SS
2	300386	1	COLLAR ADAPTOR WELD ASSY AP3 B
3	201778	1	PLUG BCV AP3 BL
4	201731	3	BCV BOLT SLEEVE AP3 BL
5	201752	3	SCREW 1/4-20 PART THREADED 18-8 SS
6	202886	6	WASHER 1/4 SPLIT LOCK 316 SS
7	202930	3	NUT 5/16-18 FINISHED HEX 18-8
8	201378	1	SCREEN BOTTOM INLET AP-3 304SS
9	201784	3	SCREW 1/4-20 X 3/4 HEX HD 18-8SS
10	201748	1	O-RING PARKER 2-140 VITON V747-75

301204 AND 301142 - CTRL ROD ASSY FOR SHORT AND LONG AP-3 BL



ITEM	PART #	QTY.	DESCRIPTION
1	300316	1	AP-3 CONTROL ROD ROLLER ASSEMBLY
2	205102	1	DOWEL PIN 3/32 X 3/8 18-8 SS
	202911		CONTROL ROD SHORT AP3 NYLON
3	202916	1	CONTROL ROD LONG AP3 NYLON
	201209		STOP UPPER CTRL ROD AP4/AP3 PVDF
5	201209	1	STOP UPPER CTRL ROD AP4/AP3 PVDF
6	200344	1	DOW PIN .0939/.0941 X 5/8 LG 18-8SS
7	200496	2	O-RING PARKER 2-109 VITON V747-75

UNLESS OTHERWISE SPECIFIED, DIMENSIONS ARE IN INCHES AND INCLUDE PLATING. REMOVE ALL BURRS.	DRAWN BY TR	DATE 04-17-23	 2355 BISHOP CIRCLE W, DEXTER, MI. 48130
	CHECKED BY -	DATE -	
	APPROVED BY -	DATE -	
NEXT ASSY -	MATERIAL -	DWG. NO. 606401	REV. -
USED ON -	FINISH -	SCALE 1:4	SHEET 2 OF 2